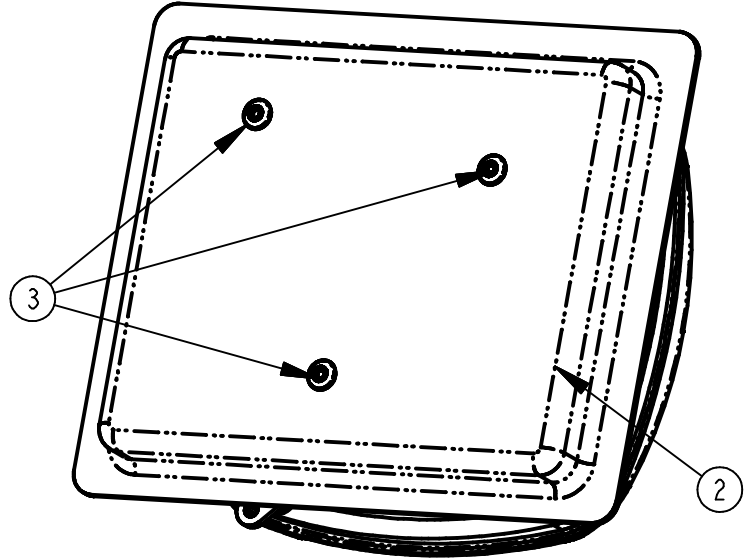
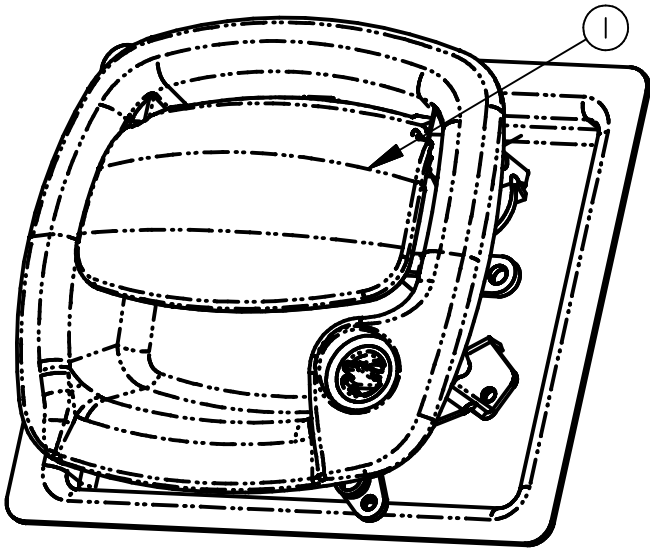
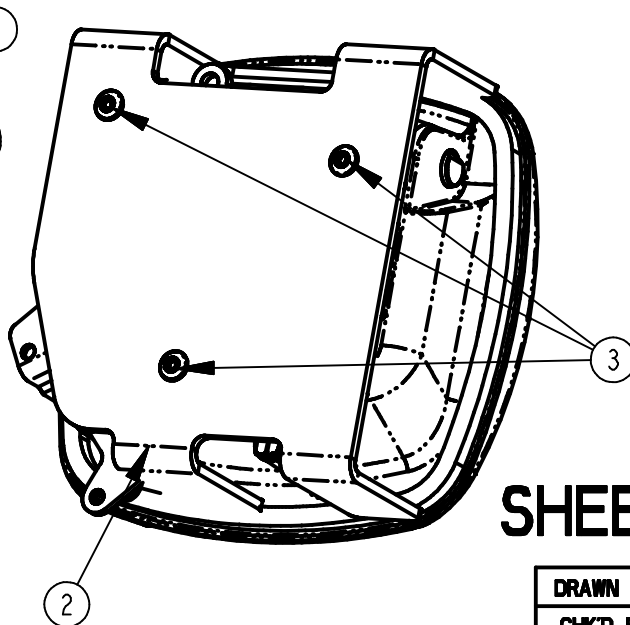
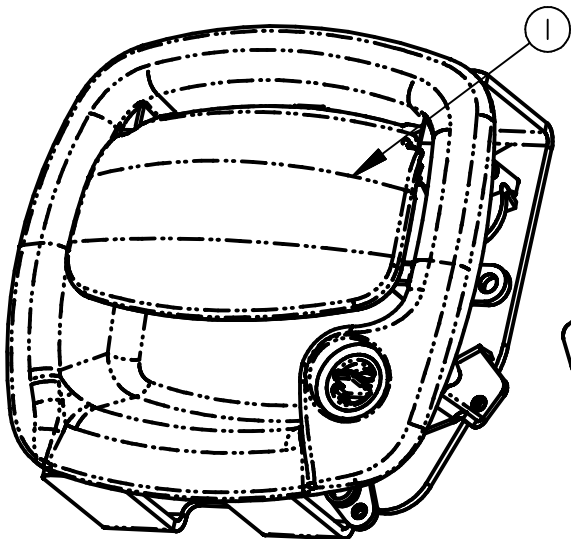


3	15555-01	ASSEMBLY MOUNT FASTENER	3
2	20756-01, -02, -03	MOUNTING BRACKET	1
1	20358-01 THRU -16	BAGGAGE ASSEMBLY WITHOUT PLUNGER	1
RIGHT HAND 060-0475 NON PLUNGER WITHOUT POWER LOCK			



3	15555-01	ASSEMBLY MOUNT FASTENER	3
2	21589-01	SKIN PINCHING MOUNTING BRACKET	1
1	20358-01 THRU -16	BAGGAGE ASSEMBLY WITHOUT PLUNGER	1
RIGHT HAND 060-0475 NON PLUNGER WITHOUT POWER LOCK (SKIN PINCH BRACKET)			



SHEET 6 OF 7

DRAWN BY	BJP	6/26/14
CHKD BY		
RLSE DATE		

TYPICAL APPLICATION	
MODEL TY060-0475	
SCALE	DESCRIPTION
0.500	060-0475, TYPICAL APPLICATIONS
SIZE	
A	
REVISION	PART NUMBER
	TY060-0475A